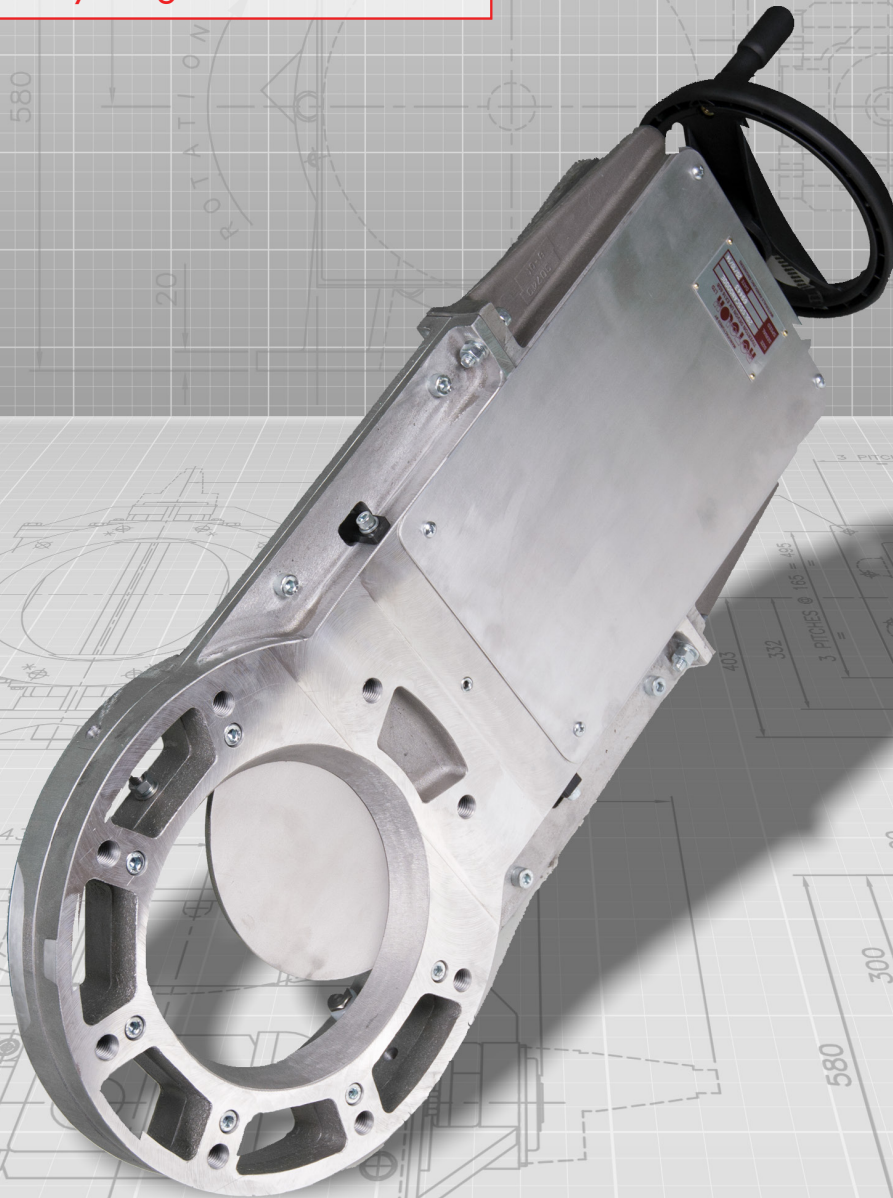


ROTOLOK

everything under control...



ROTOLOK SLIMSLIDES

ROTOLOK UK

1 Millennium Place
Tiverton Business Park
Tiverton
Devon
EX16 6SB
United Kingdom

Tel: +44 (0) 1884 232232
Fax: +44 (0) 1884 232200

www.rotolok.co.uk
sales@rotolok.co.uk



INTRODUCTION

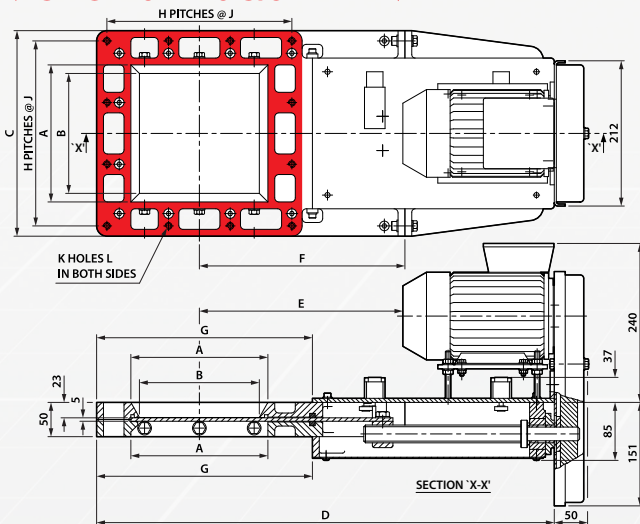
Rotolok Slimslides are used when isolating the flow of dry free flowing products such as powder, granules and dust. Designed for use on various types of gravity feed applications, e.g. silos, hoppers, screw conveyors etc. where non-automatic operation is required.

This cost effective valve is available with square or circular inlets measuring between 125mm to 350mm, with options available for lead screw, single pneumatic, motorised or manual operation.

STANDARD FEATURES

- A compact design
- No lodgement points
- Dust tight to atmosphere on in-line applications
- Stainless steel slide plate
- Aluminium body
- Nylon support studs
- Dust seals
- Available in Square and Circular inlets
- Manual, Single Pneumatic, Motorised or Lead Screw operation

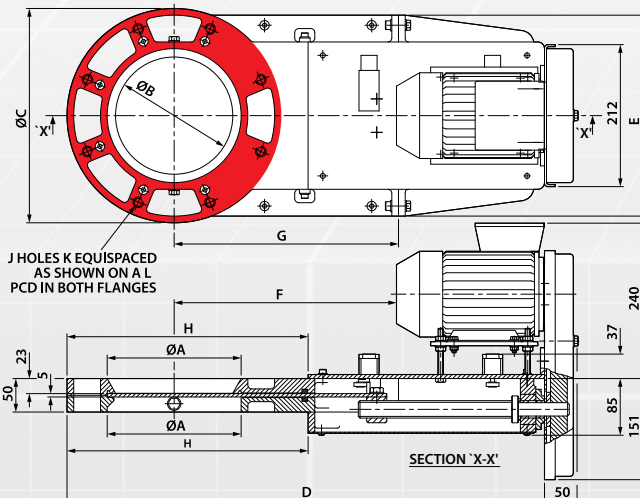
MOTORISED SQUARE INLET



Drive Spec: 0.37kW D71 foot mounted TEFC motor 1500 RPM
Supply 240/400/3/50HZ complete with 'V' belt drive in an enclosed guard
All dimensions are in millimetres

SIZE	A	B	C	D	E	F	G	H	J	K	L
150	150	125	250	558	205	235	270	3	70	12	M10
200	200	175	300	668	290	300	315	3	90	12	M10
250	250	225	338	746	350	279	358	3	101.5	12	M12
300	300	275	400	858	430	310	420	3	119	12	M10
350	350	325	458	953	495	339	478	3	140	12	M12

MOTORISED CIRCULAR INLET



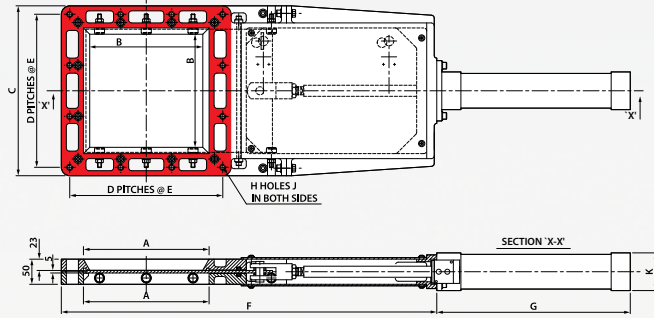
Drive Spec: 0.37kW D71 foot mounted TEFC motor 1500 RPM
Supply 240/400/3/50HZ complete with 'V' belt drive in an enclosed guard
All dimensions are in millimetres

SIZE	A	B	C	D	E	F	G	H	J	K	L
125	125	100	240	524	215	175	233	263	8	M16	200
150	150	125	285	599	250	230	258	311	8	M16	241
200	200	175	320	713	300	325	335	360	8	M16	280
250	250	225	370	841	338	430	358	453	8	M16	230
300	300	275	440	976	400	530	408	538	12	M20	395
350	350	325	533	1110	458	615	458	634	12	M20	445

Dimensions are approximate and subject to change without notice
Planning-in detail for general guidance only
(To cover safety aspects ask for our safety leaflets)
Drillings are Rotolok standards. Variations can be made.



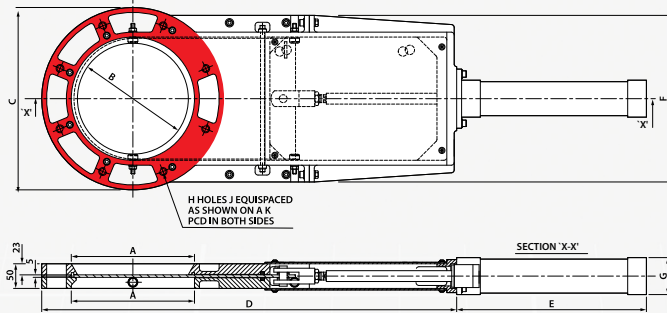
SINGLE PNEUMATIC SQUARE INLET



All dimensions are in millimetres

SIZE	A	B	C	D	E	F	G	H	J	K
150	150	125	250	3	70	559	270	67	12	M10
200	200	175	300	3	90	656	320	67	12	M12
250	250	225	338	3	101.5	747	385	75	12	M12
300	300	275	400	3	119	859	435	75	12	M10
350	350	325	458	3	140	967	485	75	12	M12

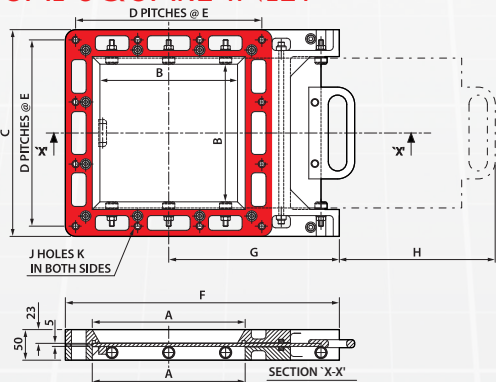
SINGLE PNEUMATIC CIRCULAR INLET



All dimensions are in millimetres

SIZE	A	B	C	D	E	F	G	H	J	K
125	125	100	240	547	245	215	67	8	M16	200
150	150	125	285	600	270	250	67	8	M16	241
200	200	175	350	701	320	300	67	8	M16	280
250	250	225	370	842	385	338	75	8	M16	320
300	300	275	440	977	435	400	75	12	M20	395
350	350	325	355	1124	485	458	75	12	M20	445

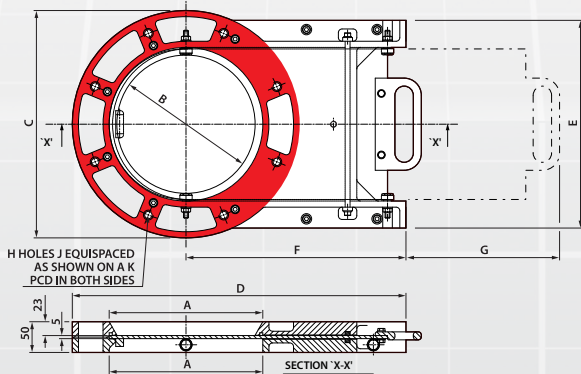
MANUAL SQUARE INLET



All dimensions are in millimetres

SIZE	A	B	C	D	E	F	G	H	J	K
150	150	125	250	3	70	360	235	175	12	M10
200	200	175	300	3	90	450	300	175	12	M10
250	250	225	338	3	101.5	448	279	255	12	M12
300	300	275	400	3	119	510	310	305	12	M10
350	350	325	458	3	140	568	339	355	12	M12

MANUAL CIRCULAR INLET



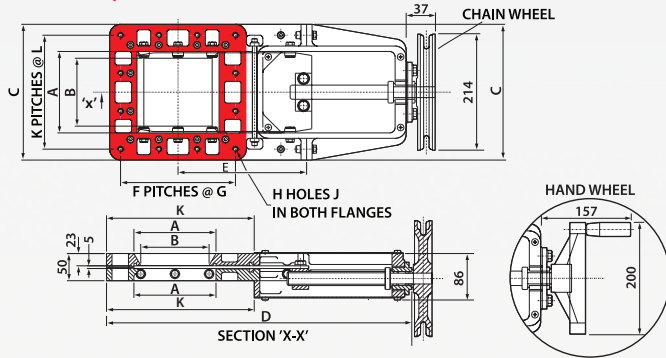
All dimensions are in millimetres

SIZE	A	B	C	D	E	F	G	H	J	K
125	125	100	240	353	215	233	127	8	M16	200
150	150	125	285	100	250	258	160	8	M16	241
200	200	175	230	495	300	335	173	8	M16	280
250	250	225	370	543	338	358	253	8	M16	320
300	300	275	440	628	400	408	303	12	M20	395
350	350	325	533	725	458	458	350	12	M20	445

Dimensions are approximate and subject to change without notice
 Planning-in detail for general guidance only
 (To cover safety aspects ask for our safety leaflets)
 Drillings are Rotolok standards. Variations can be made.



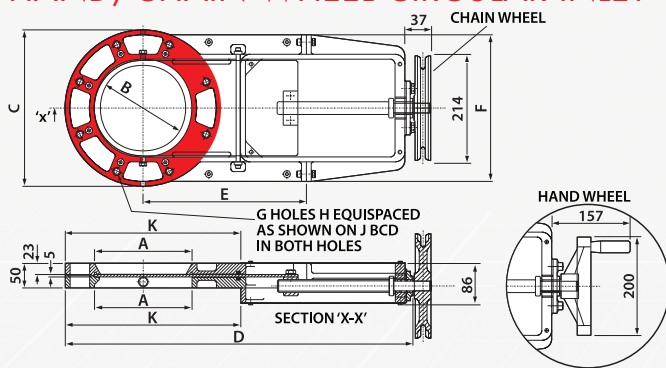
HAND/CHAIN WHEEL SQUARE INLET



All dimensions are in millimetres

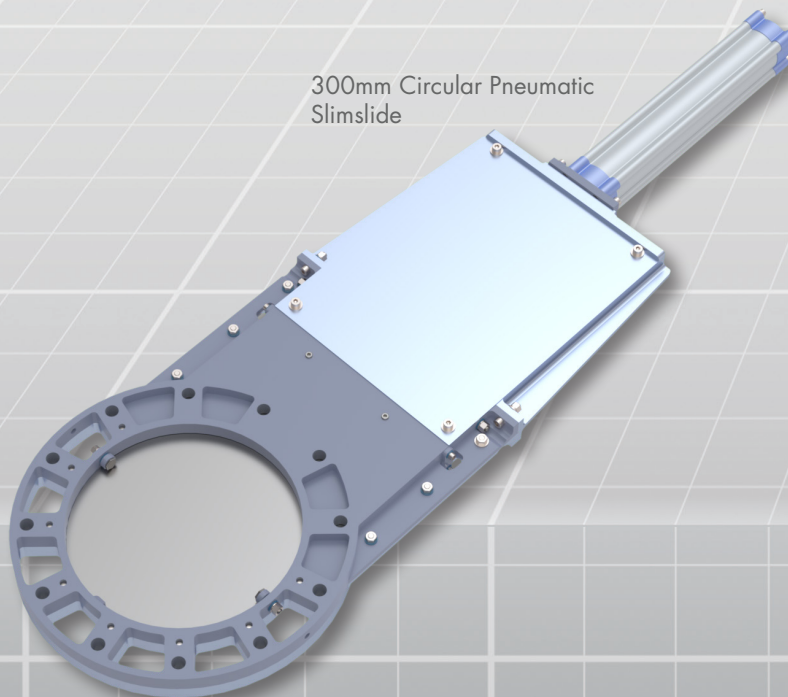
SIZE	A	B	C	D	E	F	G	H	J	K
150	150	125	250	558	235	3	70	12	M10	270
200	200	175	300	668	300	3	90	12	M10	315
250	250	225	338	746	279	3	101.5	12	M12	358
300	300	275	400	858	310	3	119	12	M10	420
350	350	325	458	935	339	3	140	12	M12	478

HAND/CHAIN WHEEL CIRCULAR INLET



All dimensions are in millimetres

SIZE	A	B	C	D	E	F	G	H	J	K
125	125	100	240	524	233	215	8	M16	200	263
150	150	125	286	599	258	250	8	M16	241	311
200	200	175	320	713	335	300	8	M16	280	360
250	250	225	370	841	358	338	8	M16	320	453
300	300	275	440	376	408	400	12	M20	395	538
350	350	325	533	1110	428	428	12	M20	445	634



300mm Circular Pneumatic Slimslide

Dimensions are approximate and subject to change without notice
Planning-in detail for general guidance only
(To cover safety aspects ask for our safety leaflets)
Drillings are Rotolok standards. Variations can be made.

