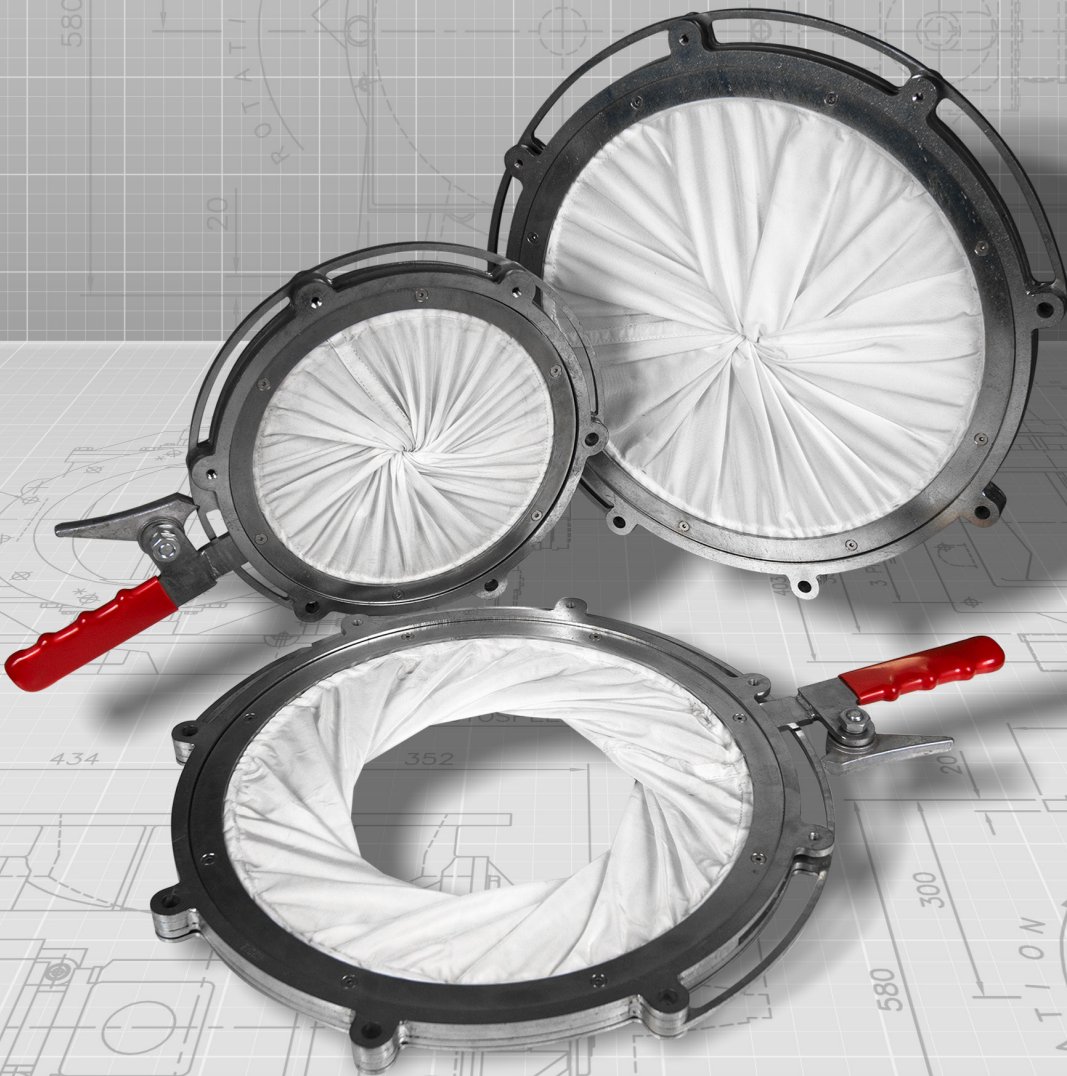


ROLOK

everything under control...



IRIS VALVES

ROLOK UK

1 Millennium Place
Tiverton Business Park
Tiverton
Devon
EX16 6SB
United Kingdom

Tel: +44 (0) 1884 232232
Fax: +44 (0) 1884 232200

www.rotolok.co.uk
sales@rotolok.co.uk



INTRODUCTION

The Iris Valve has proven itself over a number of years as a simple, reliable isolation or variable feed control valve on applications in the powder or air handling industries - its simplicity being its major advantage.

The basic construction is a sleeve that, with each end being held firmly to a circular shape on rotation through 180°, will completely seal against the very finest of powders.

Rotolok manufacture two types of Iris Valves for different applications: Rotoflex and Slimflex.

MANUAL ROTOFLEX IRIS VALVE

The Rotoflex constructed from cast aluminium or zinc for rigidity and stability. It is a high duty valve for fine powders on open discharge systems available with manual or pneumatic actuation.

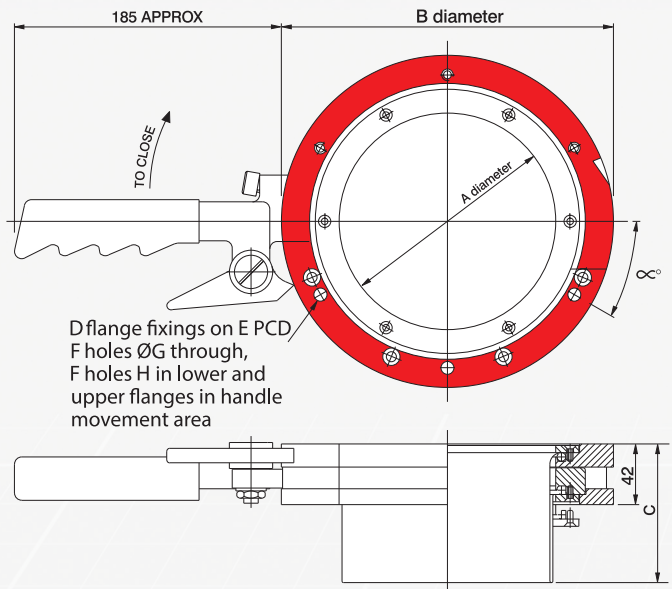
The Rotoflex lends itself particularly on filling applications. The sleeve is fixed with stainless steel clamping rings and can be Nylon, rubber, anti-static or flameproof.

It can also be used on in-line systems, but care must be taken to ensure mating gasket or flange does not interfere with the rotating clamping ring.

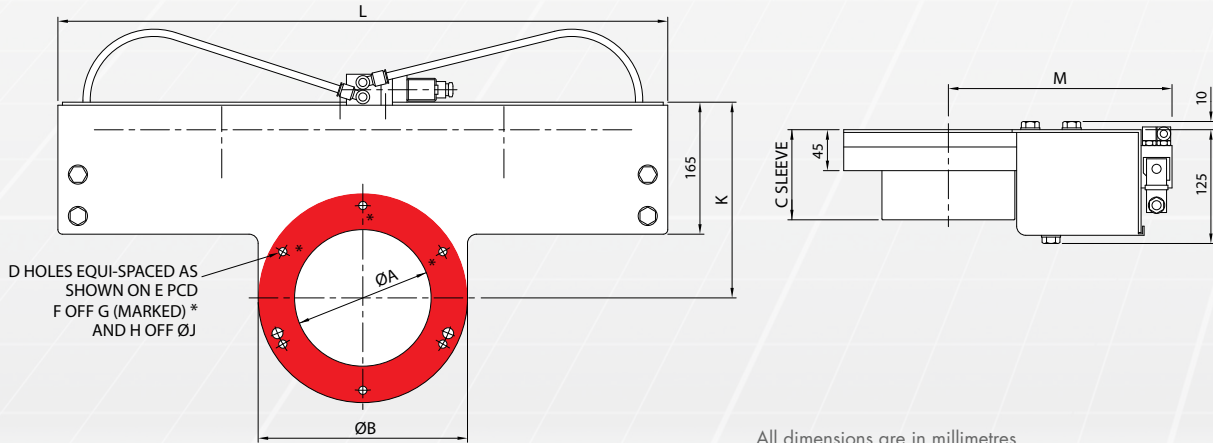
The main advantage of the Rotoflex is that it can be re-tensioned 'insitu'.

All dimensions are in millimetres

SIZES	A	B	C	D	E	F	G	H	∞°
150	150	230	96	6	203	3	9	M8	30°
200	200	280	121	6	254	3	9	M8	30°
250	250	350	146	6	327	4	11	M10	22.5°
300	300	400	171	6	378	4	11	M10	22.5°
400	400	490	227	8	470	4	12	M12	22.5°



PNEUMATIC ROTOFLEX IRIS VALVE



All dimensions are in millimetres

SIZES	A	B	C	D	E	F	G	H	J	K	L	M
150	150	230	99	6	203	3	M8	3	9	235	670	268
200	200	280	124	6	254	3	M8	3	9	260	750	293
250	250	350	149	8	327	4	M10	4	11	295	860	326
300	300	400	174	8	378	4	M10	4	11	320	935	371
400	400	490	227	8	470	1	M12	7	13	385	1060	395

Dimensions are approximate and subject to change without notice
 Planning-in detail for general guidance only
 (To cover safety aspects ask for our safety leaflets)
 Drillings are Rotolok standards. Variations can be made.

SLIMFLEX IRIS VALVE

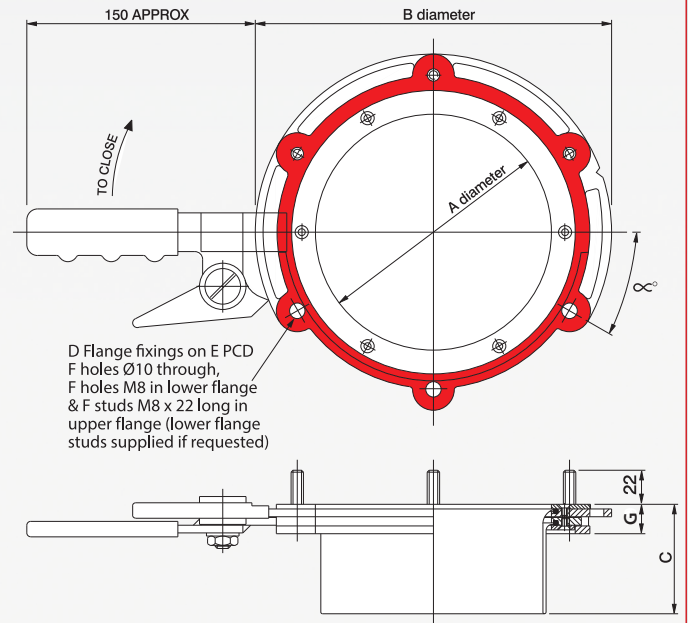
The Slimflex is a low-cost alternative to the Rotoflex, designed primarily for the needs of the IBC market. It is manufactured from stainless steel laser cut rings providing a robust, yet lower duty valve.

Slimflex sleeves can be Nylon, anti-static or flameproof and all have steel hoops to resist being pulled out of the housing.

The advantage of the Slimflex is that any size can be accommodated.

All dimensions are in millimetres

SIZES	A	B	C	D	E	F	G	∞°
100	102	184	61	4	156	2	19	45°
150	152	230	86	6	203	3	19	30°
200	203	280	111	6	254	3	24	30°
250	254	350	137	8	327	4	24	22.5°
300	305	400	162	8	378	4	24	22.5°
350	356	450	195	12	426	6	24	15°
380	381	475	116.5	12	451	6	24	15°
400	406	500	220	12	476	6	24	15°
450	457	551	250	16	527	8	24	11.25°



INSTALLATION

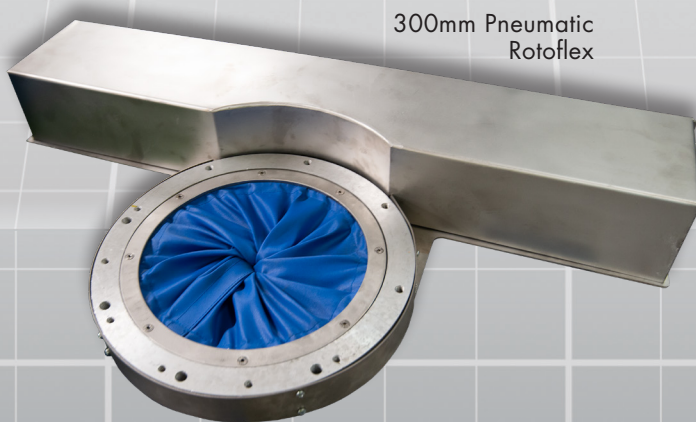
The Rotoflex and Slimflex valves are immediately ready for installation, however it is essential that the mating flange is flat and true so as not to impart unwanted stresses into the body causing warp and consequently difficult heavy duty loading on the rotating ring.

It is important that the flange fixings in the tapped holes are not too long and protrude into the handle movement area, preventing rotation.

In some cases, if wear becomes a major problem it may be preferable to install a false sleeve, thereby protecting the main sleeve and simplifying its replacement.

DOUBLE SLEEVE OPTION

Our double sleeve option is available on both our Rotoflex and Slimflex iris valves. The doubled sleeve have a higher load carrying capacity as well as providing better sealing and being completely dust tight, a valuable aid in most powder handling systems. This makes the double sleeve option highly valuable in the precise control of the flow of powders.

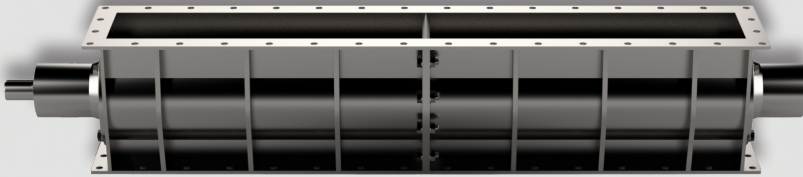


OTHER ROTOLOK PRODUCTS

As well as the Iris Valves, Rotolok manufacture and supply a range of other products for use in bulk handling systems.

These include, but are not limited to: Rotary Valves, Offset Rotary Valves, Hygienic Rotary Kleanloks, Gravity Diverters and Bespoke specials.

For more information, please visit our website or contact our sales team.



An example of a bespoke Rotary Valve. This valve has an elongated body, a special rotor design and custom operating speed.

Hygienic Rotary Kleanlok on Rails, for use in systems where cleanliness is key.



Rotolok Plug Diverter Valve, which is available in Aluminium, Cast Iron or Stainless Steel.

