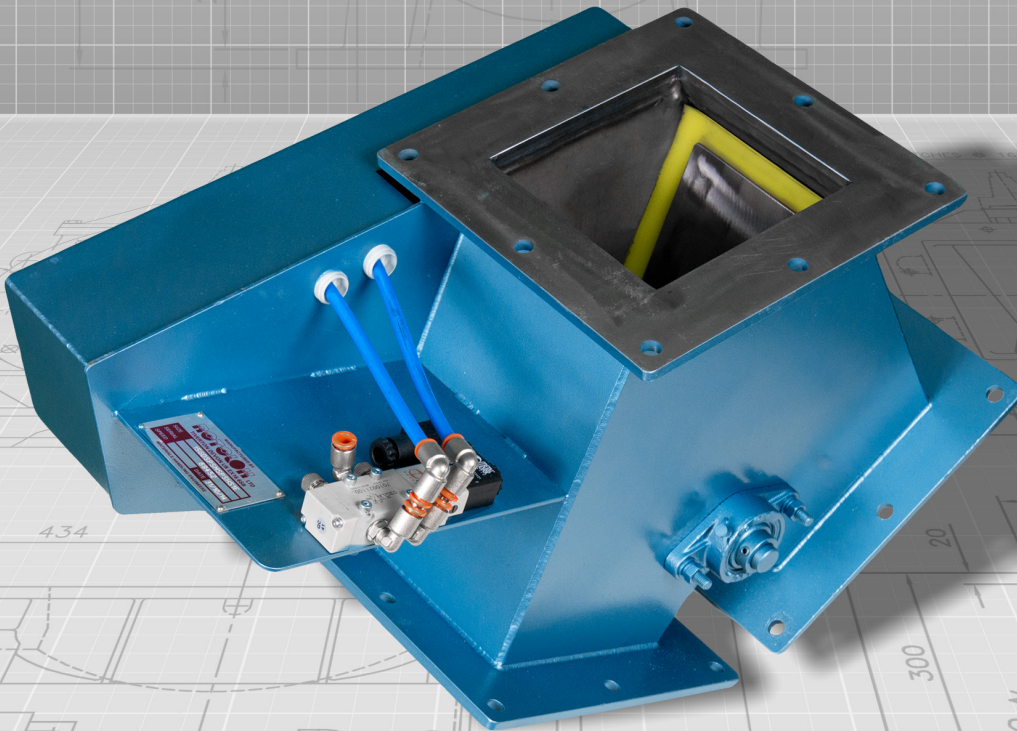


ROTOLOK

everything under control...



GRAVITY DIVERTER VALVES

ROTOLOK UK

1 Millennium Place
Tiverton Business Park
Tiverton
Devon
EX16 6SB
United Kingdom

Tel: +44 (0) 1884 232232
Fax: +44 (0) 1884 232200

www.rotolok.co.uk
sales@rotolok.co.uk



INTRODUCTION

Gravity Diverter Valves are used in the bulk handling field to re-route powders, pellets or granular materials from one discharge point to a choice of others.

Being of fabricated design Rotolok can accommodate many variations and options relating to divert angles, inlet sizes and form (square, rectangular and circular etc.).

The internal flap is manufactured with two plates sandwiching a polyurethane wiper seal, to ensure there is adequate sealing to the non-operational leg. The whole assembly is mounted on the main spindle which is supported externally by two sealed for life 2-bolt flanged bearings.

The pneumatically operated unit is actuated by an air cylinder complete with solenoid valve and internal piping. Limit switches are also fitted as standard equipment to indicate flap divert position.

The manual version is operated by a smooth action handle with locking facilities and optional limit switches.

All pneumatics and electrical switches are fully enclosed for safety reasons.

IMPORTANT FEATURES

- Divert angle ensures good flow conditions
- Compact rugged design
- Smooth internals with negligible lodgement areas
- Simple access and minimal maintenance
- Pneumatic or manual versions
- Good sealing effect

SPECIFICATION

BODIES

Fabricated in Mild or Stainless Steel

FLAP PLATES AND SPINDLE

Mild or Stainless Steel

WIPER SEAL

Polyurethane or food quality rubber

ACTUATION

Air cylinder or manual

PNEUMATIC VERSION

Complete with 5 port, two-way single solenoid spring return valve

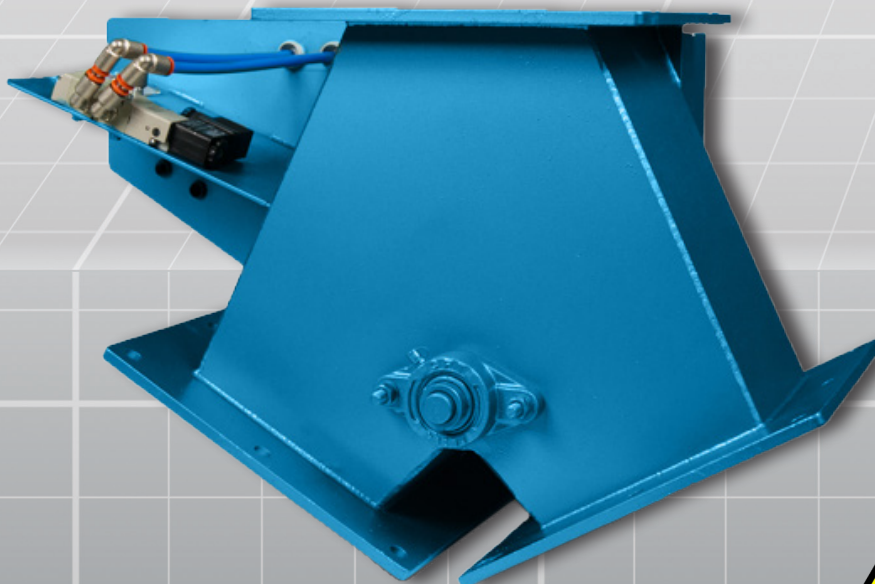
LIMIT SWITCHES

Positioned to indicate flap divert position

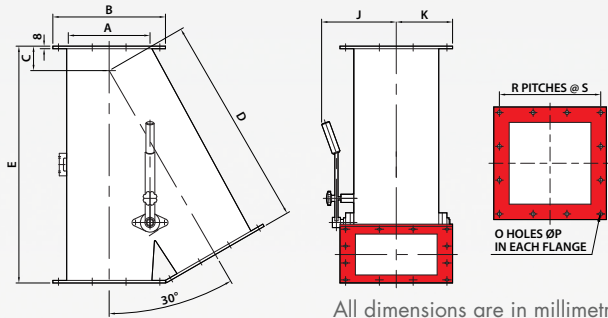
RANGE

Manufactured in four basic sizes based on a 30° divert angle. As the units are fabricated, versions can be tailor made to suit specific duties and needs. Divert angles can be changed to suit the application and the product being handled and options on inlet and outlet formats and flanges can be accommodated. With full flexibility around our standard design, Rotolok also manufactures a cast range for heavier duty application. Rotolok produces what you need to suit your application.

30 X 30 Pneumatic Square



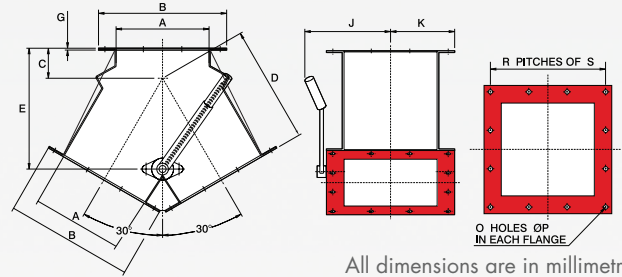
0 x 30 MANUAL SQUARE



All dimensions are in millimetres

SIZE	A	B	C	D	E	J	K	O	P	R	S
150	152	250	70	476	546	182	125	8	12	2	110
200	203	300	76	565	641	208	150	12	12	3	90
250	254	350	76	660	736	232	175	12	12	3	105
300	300	400	76	826	902	56	200	12	12	3	120

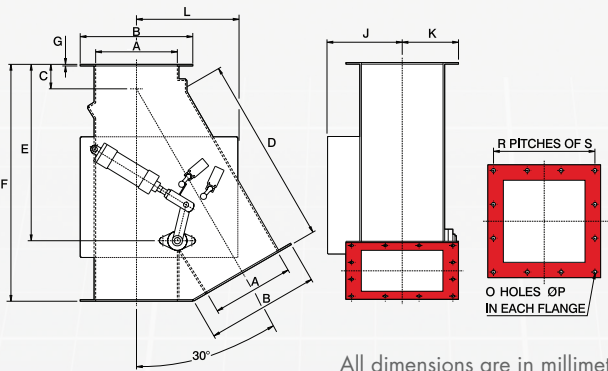
30 x 30 MANUAL SQUARE



All dimensions are in millimetres

SIZE	A	B	C	D	E	G	J	K	O	P	R	S
150	152	250	70	256	243	8	185	125	8	12	2	110
200	203	300	75	288	285	8	210	150	12	12	3	90
250	254	350	82	321	330	8	235	175	12	12	3	105
300	300	400	90	392	404	8	260	200	12	12	3	120
350	350	450	89	432	430	8	290	225	12	12	3	140

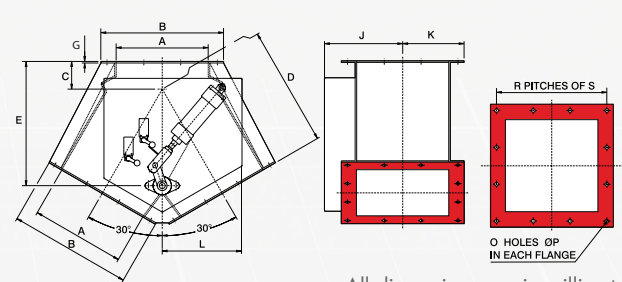
0 x 30 PNEUMATIC SQUARE



All dimensions are in millimetres

SIZE	A	B	C	D	E	F	G	J	K	L	O	P	R	S
150	152	250	70	476	346	546	8	188	125	340	8	12	2	110
200	203	300	76	565	458	641	8	216	150	330	12	12	3	90
250	254	350	76	660	548	736	8	241	175	360	12	12	3	105
300	300	400	76	826	656	902	8	280	200	370	12	12	3	120
350	350	450	108	868	772	976	8	305	225	330	12	12	3	140

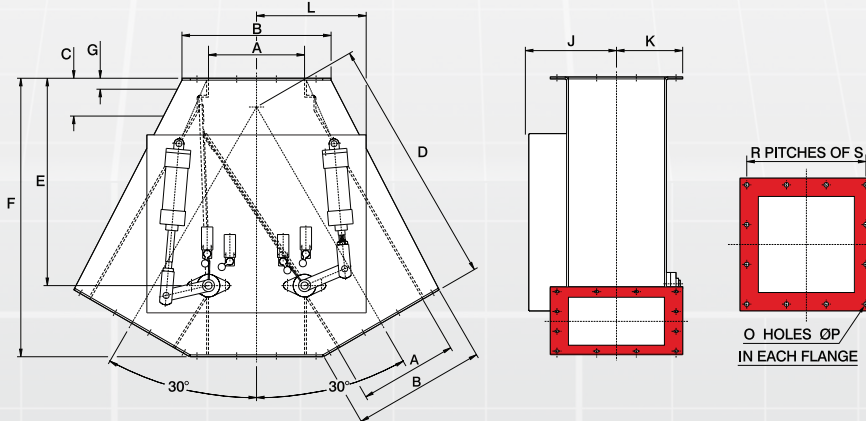
30 x 30 PNEUMATIC SQUARE



All dimensions are in millimetres

SIZE	A	B	C	D	E	G	J	K	L	O	P	R	S
150	152	250	70	256	243	8	188	125	355	8	12	2	110
200	203	300	75	288	285	8	214	150	315	12	12	3	90
250	254	350	82	321	330	8	241	175	270	12	12	3	105
300	300	400	90	392	404	8	264	200	260	12	12	3	120
350	350	450	89	432	430	8	310	225	300	12	12	3	140
400	400	500	130	500	526	8	335	250	345	16	12	4	115
500	500	600	130	565	605	8	410	305	435	16	12	4	140

30 x 0 x 30 PNEUMATIC SQUARE



All dimensions are in millimeters

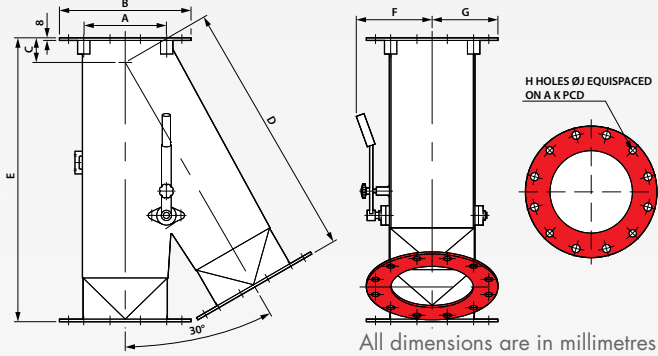
SIZE	A	B	C	D	E	F	G
150	152	250	70	476	346	546	8
200	203	300	76	565	458	641	8
250	254	350	76	665	548	741	8
300	300	400	76	826	656	902	8

SIZE	J	K	L	O	P	R	S
150	216	125	355	8	12	2	110
200	216	150	250	12	12	3	90
250	241	175	290	12	12	3	105
300	280	200	405	12	12	3	120

Dimensions are approximate and subject to change without notice
 Planning-in detail for general guidance only
 (To cover safety aspects ask for our safety leaflets)
 Drillings are Rotolok standards. Variations can be made.



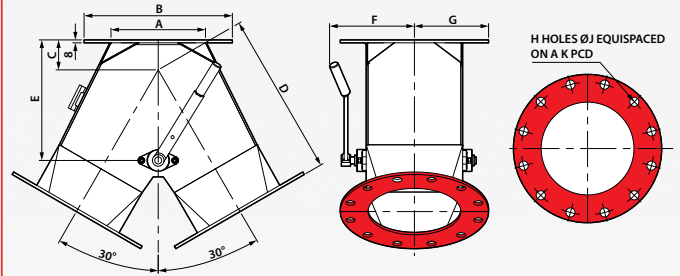
0 x 30 MANUAL ROUND



All dimensions are in millimetres

SIZE	A	B	C	D	E	F	G	H	J	K
150	152	179	70	560	630	185	139.5	8	22	241
200	203	343	76	667	743	208	171.5	8	22	298
250	254	406	76	800	876	233	203	12	25	362
300	300	483	76	976	1052	256	241.5	12	25	432
400	400	600	187	1167	1354	304	299	16	25	540

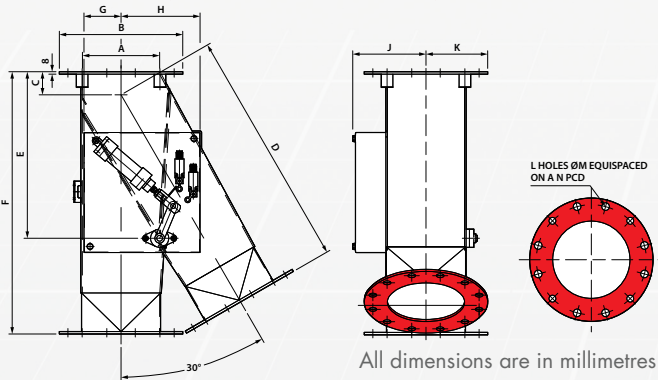
30 x 30 MANUAL ROUND



All dimensions are in millimetres

SIZE	A	B	C	D	E	F	G	H	J	K
100	102	229	38	254	172	149.8	114.5	8	19	190.5
150	152	279	70	302	243	185	139.5	8	22	241
200	203	343	75	388	285	206	171.5	8	22	298
250	254	406	82	448	330	233	203	12	25	362
300	300	483	140	555	454	258	241.5	12	25	432

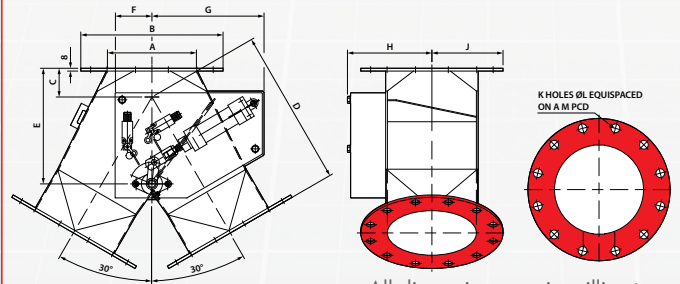
0 x 30 PNEUMATIC ROUND



All dimensions are in millimetres

SIZE	A	B	C	D	E	F	G	H	J	K	L	M	N
150	152	179	70	560	346	630	70	340	188	139.5	8	22	241
200	203	343	76	667	458	743	145	325	216	171.5	8	22	298
250	254	406	76	787	548	863	122	260	241	203	12	25	362
300	300	483	76	976	656	1052	145	295	180	241.45	12	25	432
350	350	533	158	1043	822	1201	170	330	305	266.5	12	29	478

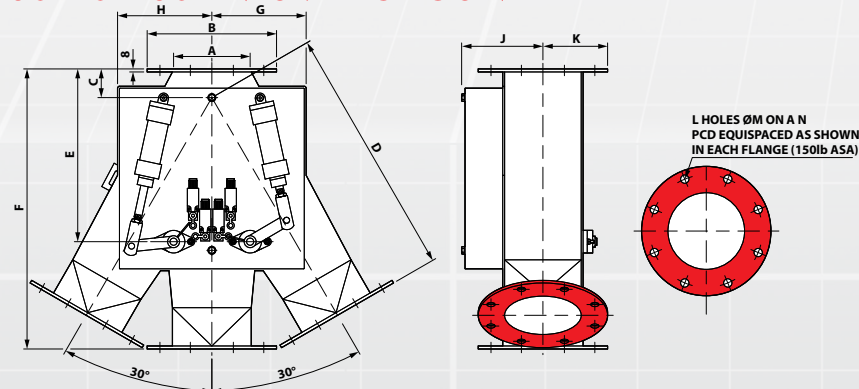
30 x 30 PNEUMATIC ROUND



All dimensions are in millimetres

SIZE	A	B	C	D	E	F	G	H	J	K	L	M
100	102	229	38	254	172	135	265	173	114.5	8	19	191
150	152	279	70	302	243	105	355	188	139.5	8	22	241
200	203	343	75	388	285	105	315	214	171.5	8	22	298
250	254	406	82	448	330	105	315	241	203	12	25	362
300	300	483	90	542	404	132	253	254	242	12	25	432
350	350	533	97	607	438	170	320	299	266.5	12	29	476

30 x 0 x 30 PNEUMATIC ROUND



All dimensions are in millimeters

SIZE	A	B	C	D	E	F	G
150	152	279	70	560	346	630	355
200	203	343	76	666.5	458	742.5	203
250	254	406	76	800	548	876	245

SIZE	H	J	K	L	M	N
150	230	216	139.5	8	22	241
200	203	215.5	171.5	8	22	298
250	245	241	203	12	25	362

Dimensions are approximate and subject to change without notice
Planning-in detail for general guidance only
(To cover safety aspects ask for our safety leaflets)
Drillings are Rotolok standards. Variations can be made.

